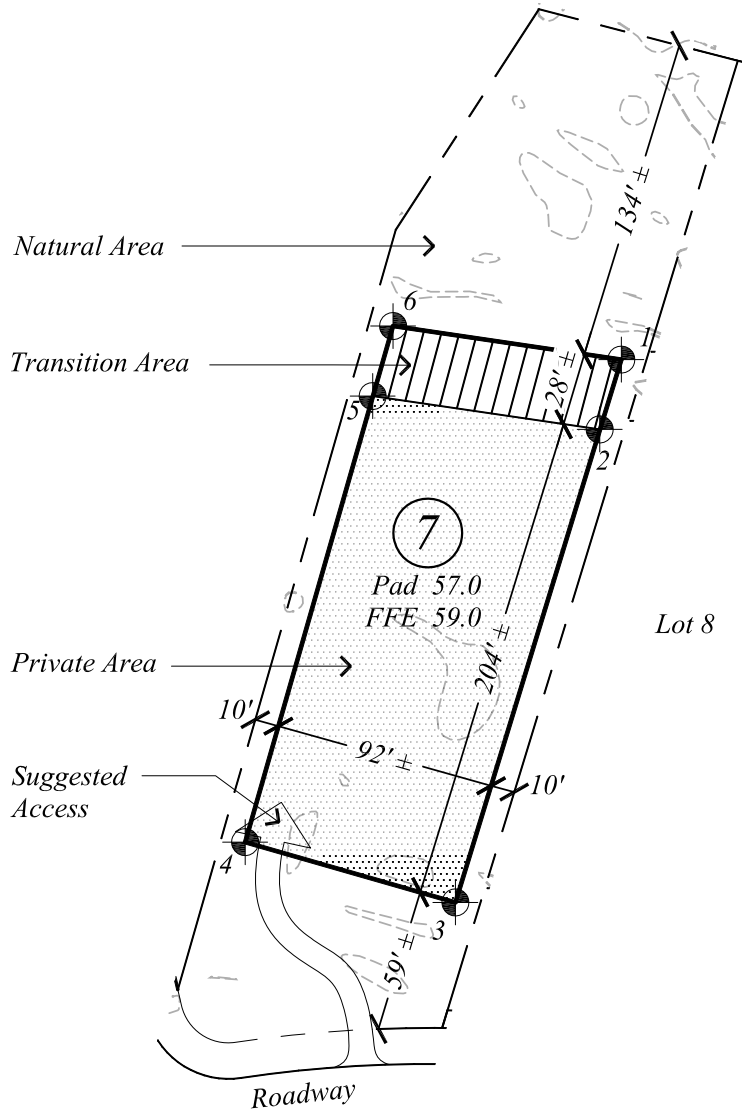


KAUPULEHU
PHASE 2
Lot 7



July 23, 2013
January 15, 2007
October 12, 2006
May 17, 2006
January 3, 2006

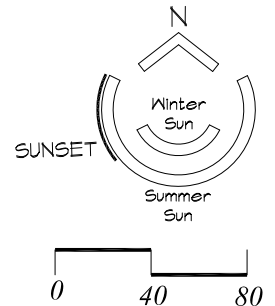
October 05, 2015
September 10, 2015

LEGEND

- Natural Area
- Transition Area
- Private Area
- Association Easement
- Secondary Transition Area
- Preserved Lava Outcrops

- Lot Boundary
- Building Envelope Boundary
- Subzone Line
- 150' Setback
- Stake Location and Number

Lot Area: 1.10 AC±
Private Area: 18,544 SF±
Building Envelope Area: 21,428 SF ±
Building Height Max. Elevation: 77.0 (18' height)
Max. Irrigated Area/Quantity: 14,357 SF ± 2,154 GPD



The locations of the Private Area, Natural Area, Transition Area, Association Easement and other physical structures and height of the pad elevation depicted on this diagram are approximations. Purchasers are advised to verify the same prior to commencing construction. All elevations are from sea level which is elevation 0'. This illustration/map/depiction is based on the current proposed development concepts and actual development may vary from what is depicted. As our vision for the project evolves, facilities, features and other components are subject to change, have not yet been, and may not be, constructed.

All linear or square footages for Transition Zone and Building Envelope within homesite boundary lines are estimates only. This material is presented as being representational, only, of the Building Envelope and is not intended as a substitute for onsite inspection and independent determination by owner of the attributes of the homesite, which are suitable for satisfying owner's intended purposes.

The Private, Transition and Natural Area boundaries, dimensions, areas, irrigation quantities, lot lines, topography and features and/or information shown on this diagram are approximate and for information only. These diagrams are not a substitute for a lot survey, and no representation regarding the accuracy or completeness of the information shown on the diagram is made

The utility easements shown on this plan are preliminary and have not been finalized by the Project's civil engineer. The actual locations of the utilities may vary in the field, and accordingly, the utility easements depicted on this plan may require adjustments and/or additional utility easement(s) may need to be designated prior to or after closing.

The irrigation quantities indicated on these lot diagrams have been calculated by the developer.