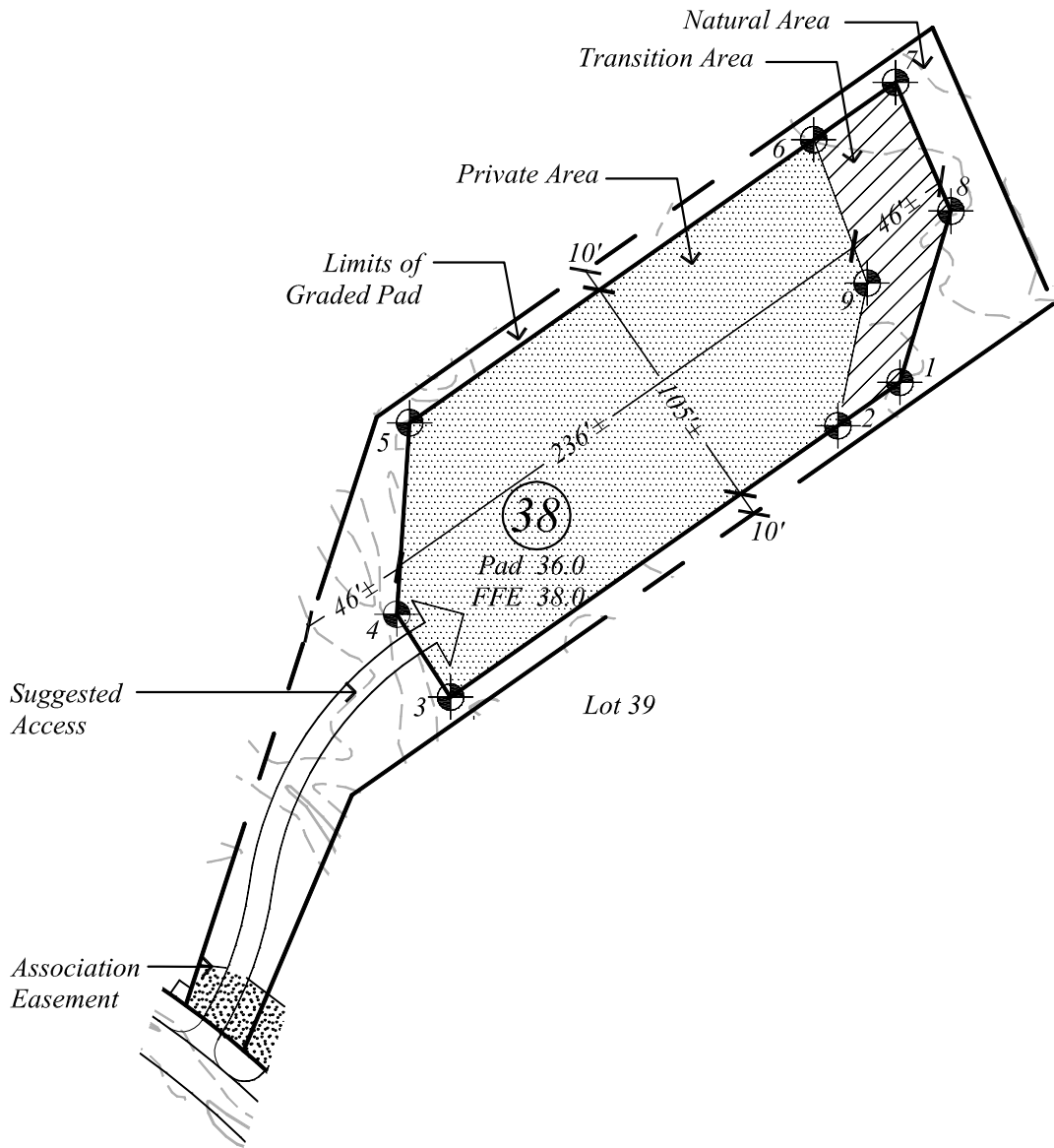


KAUPULEHU PHASE 2 Lot 38 DRAFT

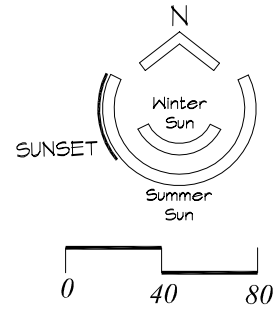


January 15, 2007
October 12, 2006
May 17, 2006
February 24, 2006
January 3, 2006

LEGEND

| | | | |
|--|-------------------------|--|----------------------------|
| | Natural Area | | Lot Boundary |
| | Transition Area | | Building Envelope Boundary |
| | Private Area | | Subzone Line |
| | Association Easement | | 150' Setback |
| | Preserved Lava Outcrops | | Stake Location and Number |

Lot Area: 1.09 AC±
 Private Area: 23,547 SF±
 Building Envelope Area: 27,827 SF ±
 Building Height Max. Elevation: 56.0' (18' height)
 Max. Irrigated Area/Quantity: 18,616 SF ± 2,778 GPD



The locations of the Private Area, Natural Area, Transition Area, Association Easement and other physical structures and height of the pad elevation depicted on this diagram are approximations. Purchasers are advised to verify the same prior to commencing construction. Please see reverse side for additional information. All elevations are from sea level which is elevation 0'.